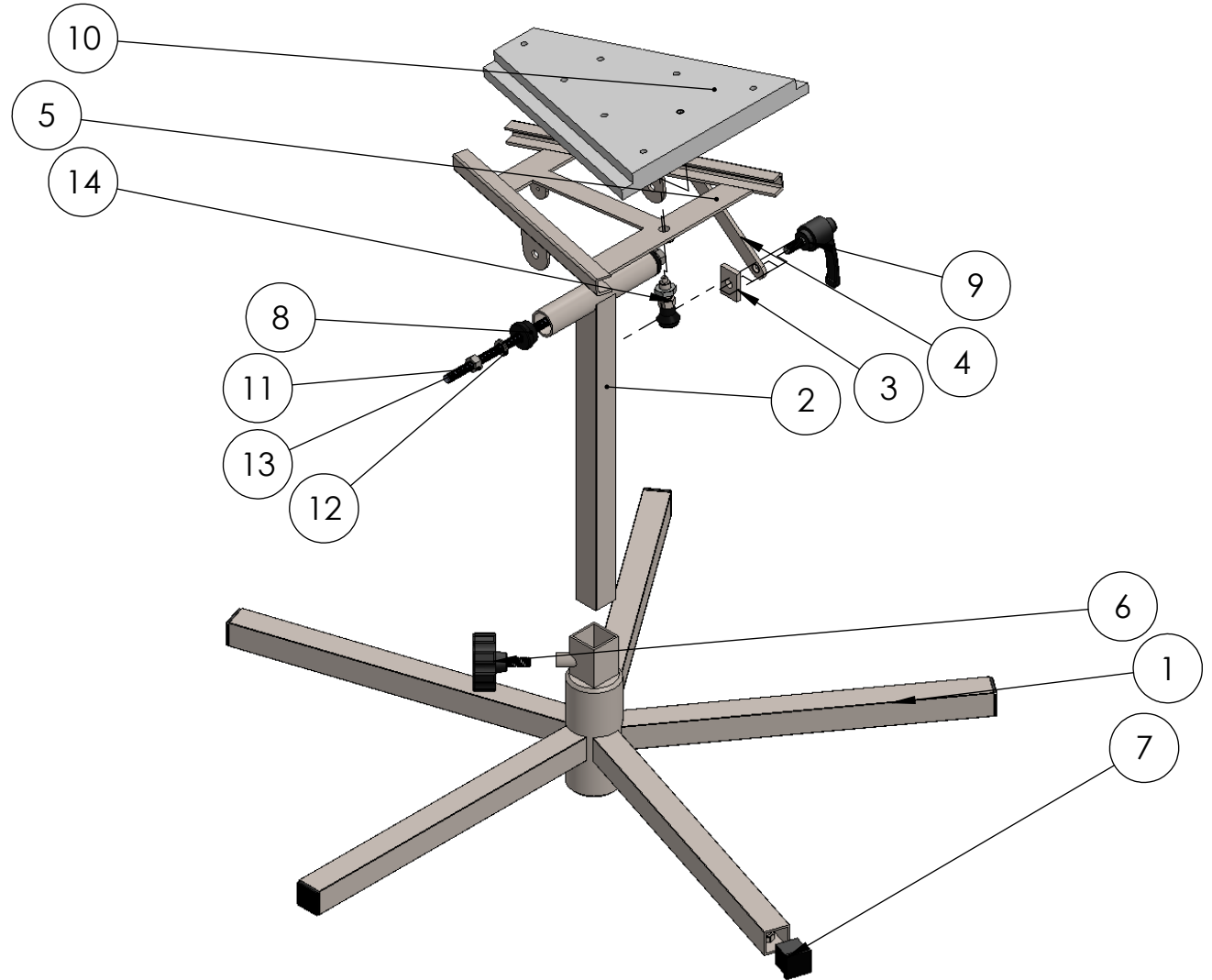



No.	Article
1	62006
2	62002
3	62003
4	62004
5	62005
6	8348 knop M8x20
7	black cap 25x25mm
8	black cap ø21mm ID
9	9550 clamp M8x20mm
10	8519 triangle teflon part
11	threat M8x165mm
12	spring lock wash. ø8mm
13	nut M8
14	9759 indexing bolt



PROPRIETARY AND CONFIDENTIAL
 THE INFORMATION CONTAINED IN THIS DRAWING IS THE SOLE PROPERTY OF PEGASUS ZORG BV. ANY REPRODUCTION IN PART OR AS A WHOLE WITHOUT THE WRITTEN PERMISSION OF PEGASUS ZORG BV IS PROHIBITED.

		UNLESS OTHERWISE SPECIFIED:	NAME	DATE	DESCRIPTION:
		DIMENSIONS ARE IN MILLIMETERS TOLERANCES: FRACTIONAL ± ANGULAR: MACH ± BEND ± TWO PLACE DECIMAL ± THREE PLACE DECIMAL ±	DRAWN	D.HORN	31-05-13
		INTERPRET GEOMETRIC TOLERANCING PER:	CHECKED	D.HORN	31-05-13
		MATERIAL	ENG APPR.		
		FINISH	MFG APPR.		
ARTICLE NO.	PART NAME/DR.NO.		CHANGED		03-02-15
APPLICATION		DO NOT SCALE DRAWING	COMMENTS:		No. 9 will be added by Pegasus, the rest of the articles should be assembled by Krypton
			TITLE:		 Pegasus Zorg www.pegasuszorg.com
			SIZE	DWG. NO.	
			A	D62001REPV	
			SCALE: 1:20	WEIGHT:	SHEET 1 OF 1